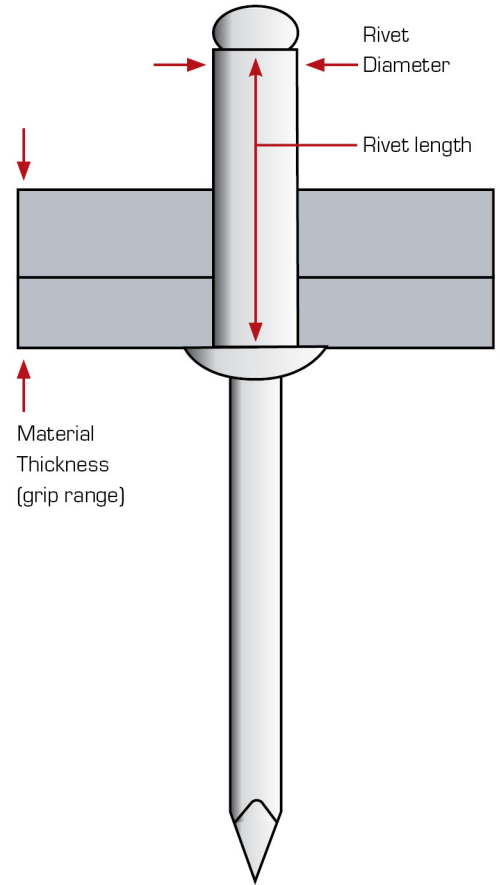


RIVET CHART

Standard Truss (Dome) Head Rivet:



i.e AS6-4 = Alum/Steel Dome Rivet 3/16" diameter with 4.8-6.4mm grip range.

Rivet Diameter		Drill Size	Rivet Length	Grip Range		Rivet Size
Inch	mm	mm	Max (mm)	Inch	mm	Code
3/32	2.4	2.5	6.2	1/32 - 1/8	0.8 - 3.2	3-2
			7.8	1/8 - 3/16	3.2 - 4.8	3-3
			9.5	3/16 - 1/4	4.8 - 6.4	3-4
1/8	3.2	3.3 (#30)	5.3	1/32 - 1/16	0.8 - 1.6	4-1
			6.9	1/16 - 1/8	1.6 - 3.2	4-2
			8.4	1/8 - 3/16	3.2 - 4.8	4-3
			10.0	3/16 - 1/4	4.8 - 6.4	4-4
			11.6	1/4 - 5/16	6.4 - 7.9	4-5
			13.2	5/16 - 3/8	7.9 - 9.5	4-6
			16.4	3/8 - 1/2	9.5 - 12.7	4-8
			20.0	1/2 - 5/8	12.7 - 15.9	4-10
5/32	4.0	4.1 (#20)	7.5	1/16 - 1/8	1.6 - 3.2	5-2
			9.0	1/8 - 3/16	3.2 - 4.8	5-3
			10.7	3/16 - 1/4	4.8 - 6.4	5-4
			12.2	1/4 - 5/16	6.4 - 7.9	5-5
			13.8	5/16 - 3/8	7.9 - 9.5	5-6
			17.1	3/8 - 1/2	9.5 - 12.7	5-8
			20.9	1/2 - 5/8	12.7 - 15.9	5-10
3/16	4.8	4.9 (#11)	8.1	1/16 - 1/8	1.6 - 3.2	6-2
			9.7	1/8 - 3/16	3.2 - 4.8	6-3
			11.3	3/16 - 1/4	4.8 - 6.4	6-4
			12.9	1/4 - 5/16	6.4 - 7.9	6-5
			14.5	5/16 - 3/8	7.9 - 9.5	6-6
			17.9	3/8 - 1/2	9.5 - 12.7	6-8
			21.0	1/2 - 5/8	12.7 - 15.9	6-10
			24.3	5/8 - 3/4	15.9 - 19.0	6-12
			27.4	3/4 - 7/8	19.0 - 22.0	6-14
			30.6	7/8 - 1	22.5 - 25.4	6-16
			35.0	1 - 1-1/4	25.4 - 31.7	6-20
			40.0	1-3/16 - 1-3/8	30.0 - 35.0	6-22
			50.0	1-1/2 - 1-3/4	40.0 - 45.0	6-28
1/4	6.4	6.5	12.5	1/16 - 1/4	1.6 - 6.4	8-4
			15.7	1/4 - 3/8	6.4 - 9.5	8-6
			18.9	3/8 - 1/2	9.5 - 12.7	8-8
			22.0	1/2 - 5/8	12.7 - 15.9	8-10
			25.2	5/8 - 3/4	15.9 - 19.0	8-12
			28.3	3/4 - 7/8	19.0 - 22.0	8-14
			31.0	7/8 - 1	22.5 - 25.4	8-16

Code Prefix	Description		
	Rivet Body	Stem	Head Style
AA	Alum	Alum	Dome
AS	Alum	Steel	Dome
ASC	Alum	Steel	Countersunk
ASL	Alum	Steel	Dome Large Flange
ASP	Alum	Steel	Peel
ASW	Alum	Steel	Dome Sealed
CS	Copper	Steel	Dome
MS	Monel	Steel	Dome
SS	Steel	Steel	Dome
SSL	Steel	Steel	Dome Large Flange
STS	G304 S/S	Steel	Dome
STSS	G316 S/S	Stainless	Dome
STST	G304 S/S	Stainless	Dome
TAC	Alum	Steel	Sealed Countersunk
TST	G304 S/S	Stainless	Dome Sealed