

The Original
BLUE BANGER HANGER



AUSTRALIA'S #1 DECK ANCHOR INSERT



SDI
For Steel Form

PIP
For Wood Form



SEISMICALLY
QUALIFIED FOR
USE IN CRACKED
CONCRETE



DONE AND
DUSTLESS

DUSTLESS ANCHORING

The Original
BLUE BANGER HANGER

WHY USE ICCONS® BLUE BANGERS?

The Original Blue Banger Hanger... The inserts that changed the anchoring industry! Blue Banger Hangers have been engineered to save you time and money and are backed by industry leading test approvals, design and application engineering. Each insert handles multiple threaded rod diameters and installs in a fraction of the time of post installed anchors.

Blue Banger Hangers are the insert of choice for the building services trades including, HVAC, Electrical, Plumbing, Piping and Fire Sprinkler contractors. Save time, money, and improve installer occupational health and safety. The multi-thread, cast-in anchor for wood-form and steel deck are suitable for cracked and uncracked concrete, dramatically save install time when compared to traditional methods, eliminate worker exposure to silicosis and other OHS hazards.

- REDUCE LABOUR COSTS
- REDUCE INVENTORY
- FAST & SECURE INSTALL
- EASILY CHANGE ROD SIZES
- NO DRILLING CONCRETE
- NO USING ROD COUPLERS
- NO SPECIAL INSPECTION
- NO INSTALLER ERROR



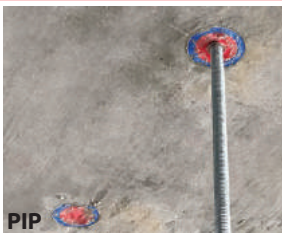
ICCONS® Blue Bangers are installed before the concrete is poured.

With ICCONS® PIP Blue Bangers, rebar and air hoses will not snag the underside of the insert heads and rip them out of the plastic bases because of the six symmetrical fins that protect the head, Rebar slides off instead of catching.



When the wood form-work is removed the blue base of the 'Pour In Place' (PIP) banger is easily located.

ICCONS® Pour In Place Blue Banger has a unique slurry seal to safeguard internal thread from concrete during the pour. Other cheaper alternatives lack this feature resulting in tricky threaded rod insertion.



The blue base on the 'Pour In Place' Insert is easily identifiable when trying to install threaded rod post install. Once the wood form-work has been removed, the exposed nails can easily be removed with a hammer.

The 75mm blue neck on the 'Steel Deck Insert' is easily identifiable when trying to install threaded rod post install and acts as protection against fire proofing material entering the threaded body



ICCONS® Pour In Place Blue Banger is equipped with wider base to ensure the insert is installed flush to the deck to prevent concrete from contaminating the inner threads during the pour. Other alternatives may be subjected to being knocked out of place as their base is narrower. Both ICCONS® Pour In Place and Steel Deck Inserts have large flanged heads providing high tensile loads and are seismically qualified for use in cracked and uncracked concrete.



The patented multi-thread design enables ICCONS® Blue Bangers to take M8, M10, and M12 threaded rod, resulting in less inventory commitment.

The Multi-thread design allows for design flexibility as threaded rod sizes can easily be changed within the 3 thread sizes even after the initial installation.

Is the worker exposed to Silicosis? **NO!**

Is the worker exposed to Silicosis? **YES!**

The Original
BLUE BANGER HANGER

INSTALL COST COMPARISON

Working on top of wood and metal forms is far easier than performing overhead installations.

Working overhead results in heightened dust and silica exposure which poses extreme occupational health and safety risks

Blue Banger

- ✓ • Installation cost saving versus drop-in anchors (see tables below)
- ✓ • Fast & Easy installation on top of form work.
- ✓ • Bazooka tool available for ergonomic installation method of PIP for wood form.
- ✓ • No access costs during anchor installation , such as scissor lift or scaffold.
- ✓ • Pre-cast fixing (high loads).
- ✓ • PIP - No Drilling Saving \$\$\$ on SDS drill bits.

Drop-in

- ✗ • Overhead drilling (time consuming & tiresome)
- ✗ • Access required for install (scaffold or scissor lift costing \$\$\$)
- ✗ • Drill dust and silica exposure poses extreme occupational health and safety risks.
- ✗ • Drop-ins installed incorrectly can go unnoticed and lead to failure & costing \$\$\$

BLUE BANGER PIP FOR WOOD FORM



Type of anchor	Average install time / anchor	Average install Cost /anchor**	Average install Cost /100 anchors**	Savings \$ / 100 Anchors
Blue Banger BBPIP081012	10s	\$2.00	\$200.00	\$147.00 \$194.11

V

TRADITIONAL DROP-IN ANCHOR



TYPE OF ANCHOR	Average install time / anchor	Average install cost / anchor**	Average install cost /100 anchors**	Additional Cost \$ / 100 Anchors v Blue Banger
M10 Drop-in	3 min	\$3.47	\$347.00	\$147.00
M12 Drop-in	3 min 20s	\$3.94	\$394.00	\$194.11

BLUE BANGER SDI FOR STEEL DECK FORM



Type of anchor	Average install time / anchor	Average install Cost /anchor**	Average install Cost /100 anchors**	Savings \$ / 100 Anchors
Blue Banger BBPIP081012	18s	\$2.60	\$260.00	\$87.00 \$134.11

V

TRADITIONAL DROP-IN ANCHOR



TYPE OF ANCHOR	Average install time / anchor	Average install cost / anchor**	Average install cost /100 anchors**	Additional Cost \$ / 100 Anchors v Blue Banger
M10 Drop-in	3 min	\$3.47	\$347.00	\$87.00
M12 Drop-in	3 min 20s	\$3.94	\$394.00	\$134.11

Assume labour cost \$ 65/ Hr
**Includes cost of anchor (RRP).
Times may vary depending on site conditions, working heights & accessibility .
Drop-in anchor installation overhead.

Assume labour cost \$ 65/ Hr.
**Includes cost of anchor (RRP).
Times / cost may vary depending on site conditions, working heights & accessibility .
Drop-in anchor installation overhead.
Access equipment such as scissor lift / scaffold have not been calculated in the above tables.



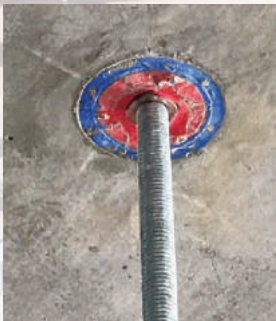
SEISMICALLY
QUALIFIED FOR
USE IN CRACKED
CONCRETE



DONE AND
DUSTLESS

DUSTLESS ANCHORING

The Original
**BLUE BANGER
HANGER**



For Wood Formed Concrete Decks

ICCONS® Pour-in-Place (PIP) inserts are used on wood form poured decks and installed prior to pouring concrete, reducing installation and material costs.

Machined Steel Insert with Large Flanged Head

- Angled ridges protect the head of the insert from rebar during deck work.
- Larger plastic base ensures that the insert is installed flush to the deck to prevent concrete from contaminating the inner threads during the pour.
- UL plenum rated for use in ceiling cavity spaces.
- Slurry seal safeguards the internal threads during the concrete pour

Multiple Internal Threads

- Reduces inventory, each insert can accommodate M8, M10 & M12 threaded rod sizes.
- Allows for threaded rod size changes after inserts are installed.
- Internal threads eliminate the need and cost of couplings.

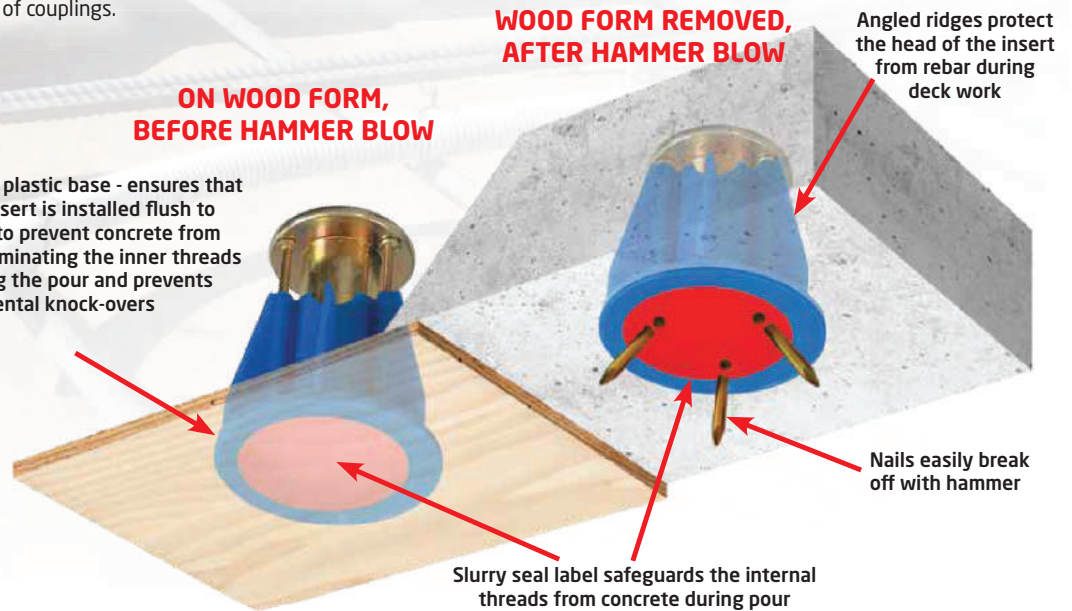
Machined Steel Insert with Large Flanged Head and Nails

- Provides excellent shear values for overhead attachments.
- Insert installed height of two inches complies with typical design specifications.
- Nails easily break off.

Large plastic base - ensures that the insert is installed flush to deck to prevent concrete from contaminating the inner threads during the pour and prevents accidental knock-overs

**ON WOOD FORM,
BEFORE HAMMER BLOW**

**WOOD FORM REMOVED,
AFTER HAMMER BLOW**



ost rpd



Part No.	Description	metric	qty
BBPIP081012	Multi Thread Pour-In Place Deck Inserts (for wood form concrete deck)	M8, M10 & M12	100



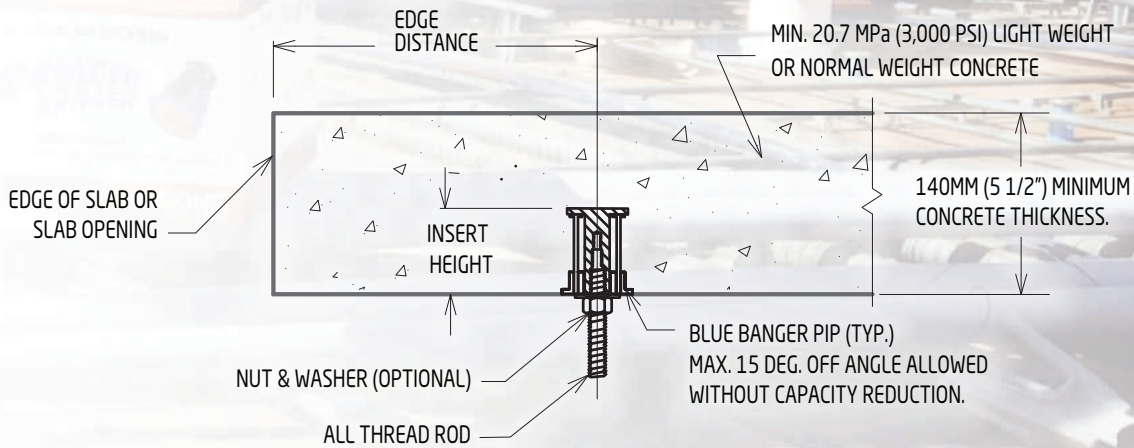
Bazooka PIP Magnetic Installation tool

The Bazooka Magnetic Installation tool allows for easy placement and application of the PIP insert whilst saving the installers back!

The magnetic tip makes holds the insert, and a swift downwards push hammers the anchor into the wood form-work.

Part No.	Description	qty
BBCEA-PIPINSTALL1	1050mm Bazooka PIP installation tool	1

SINGLE BLUE BANGER HANGER PIP INSERT VERTICAL SUPPORT CONNECTION



BLUE BANGER HANGER POURED-IN-PLACE (PIP) INSERT (METRIC) SINGLE INSERT VERTICAL SUPPORT CONNECTION DETAILS

Form Pour Slab with Minimum Concrete Strength of 20.7 MPa (3,000 psi) Seismically Qualified for Anchorage In Cracked Concrete

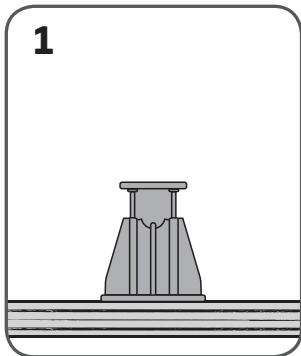
Deck Insert Part No.	All Thread Rod Dia.	Nominal Insert Height	Minimum Edge Distance	Tension Value At 152mm Spacing	Tension Value At 127mm Spacing
BBPIP081012	M8, M10 & M12	51mm	152mm	6.48 kN	5.94 kN

1. Values shown are exclusive of threaded rod capacity.
2. Linear interpolation of the tabulated values can be used for spacing between the minimum spacing for full load and the tabulated reduced spacing.
3. Rod locations with single, rigid brace connections require additional seismic load considerations before applying the above values. Refer to project specific ISAT bracing legend.
4. Design values based on testing per ICC ES, AC446. Tension Values derived in conformance with ACI 318, Appendix D with 0.65 strength reduction factor and 0.75 seismic reduction factor.
5. Values may be used to resist seismic loads.

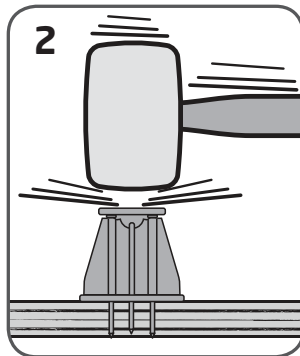


Supports multiple threaded rod sizes.
Easily change rod sizes after install.

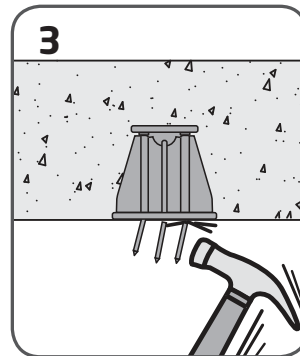
- M8
- M10
- M12



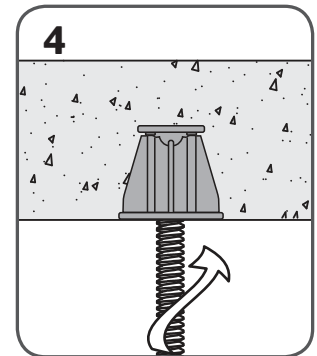
1 Place the Pour In Place anchor (BBPIP081012) on the wood form-work in the desired location.



2 Strike the top of the anchor with either a hammer or the ergonomic bazooka tool, ensure the anchor is seated flush to the wood form.



3 Once the concrete has hardened and wood form-work removed, the exposed nails can easily be removed with a hammer.



4 Simply push the desired threaded rod size (M8, M10 or M12) through the slurry seal. Engage thread full into correct thread. DO NOT Over-tighten thread.



SEISMICALLY
QUALIFIED FOR
USE IN CRACKED
CONCRETE

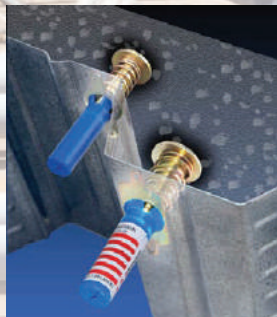


DUSTLESS ANCHORING

The Original
**BLUE BANGER
HANGER**

For Pre-Poured Concrete Steel Decks

ICCONS® Steel Deck Inserts (SDI) are installed prior to pouring, reducing installation and material costs and increasing strength values. Ideal for gravity & seismic anchorage!



Machined Steel Insert with Large Flanged Head

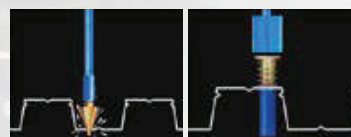
- Provides excellent shear values for overhead attachments.
- Patented grooved insert body prevents component separation even if the flute is broken off prior to pour.
- Fully cracked concrete tested for vertical and dynamic seismic loading.
- Backed by: ICC Report ESR-3599 granted under AC446.

Multiple Internal Threads

- Reduces inventory, each insert can accommodate M8, M10 & M12 threaded rod sizes.
- Allows for threaded rod size changes after inserts are installed.
- Internal threads eliminate the need and cost of couplings.

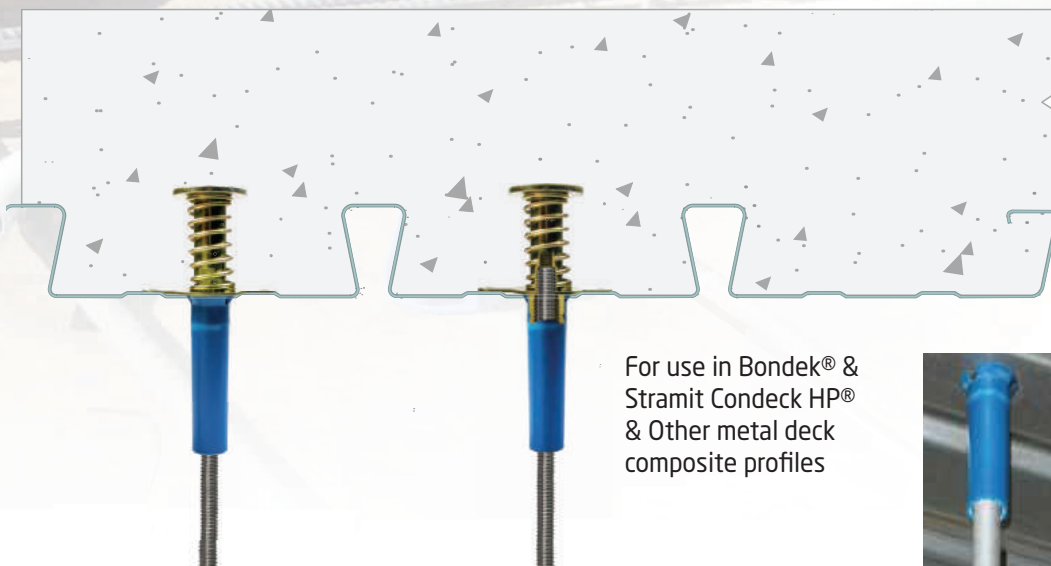
Three Inch Blue Plastic Sleeve

- Keeps internal threads clean.
- Extended length makes insert easy to locate even with fireproofing on deck underside.
- Plastic sleeve provides guidance to align threaded rod with matching internal female threads.
- UL plenum rated for use in ceiling cavity spaces.



1) Drill It

2) Bang It



For use in Bondek® & Stramit Condeck HP® & Other metal deck composite profiles



ZINC

Part No.	Description	metric	qty
BBSDI081012	Multi Thread Steel Deck Inserts (for metal form concrete deck)	M8, M10 & M12	100

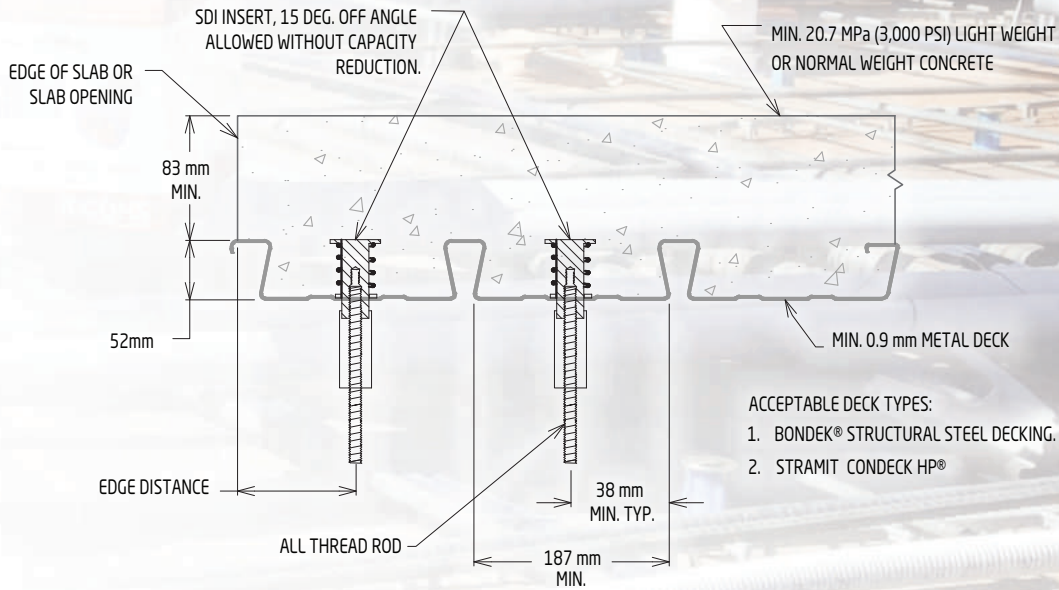
Steel Deck Insert Installation tool



Ergonomic stand up installation tool

Part No.	Description	qty
BBCEA-SDDHS1	600mm deck driller with 21mm (13/16") hole saw	1
BBCEA-SDDSb4	600mm deck driller with step drill bit 3/16 to 7/8"	1

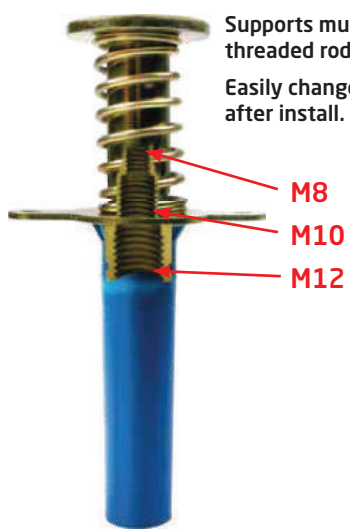
SINGLE BLUE BANGER HANGER SDI INSERT VERTICAL SUPPORT CONNECTION



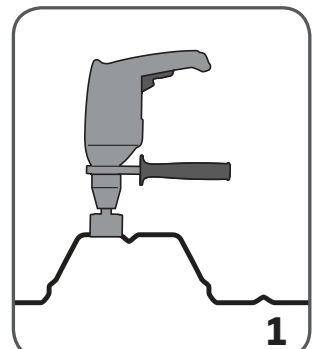
Blue Banger Hanger Steel Deck Insert (SDI), Seismically Qualified for Anchorage In Cracked Concrete, Minimum 20.7 MPa NWC ICC Report No. ESR-3599 (November, 2017)

Deck Insert Part No.	All Thread Rod Dia.	Nominal Insert Height	Minimum Edge Distance	Minimum Spacing	Max. Tension Value at Min. Concrete strength	
					20.7 MPa (Lower Flute)	27.5 MPa (Lower Flute)
BBSDI081012	M8, M10 & M12	51mm	152mm	152mm	5.10 kN	5.80 kN

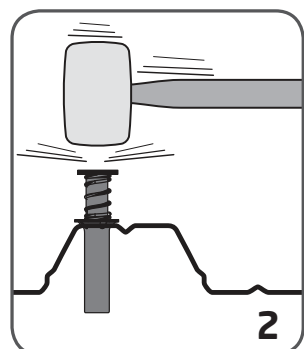
1. Capacities derived in conformance with ACI 318, Appendix D.
2. Spacing measured along length of flute. Edge distance perpendicular to direction shown (end distance) shall be 152 mm.
3. Rod locations with single, rigid brace connections require additional seismic load considerations before applying the above values. Refer to project specific ISAT bracing legend. This load increase does not apply to cable braces or where two rigid braces connected to a common rod are installed in opposing directions.
4. Design values based on testing per ICC ES, AC446
Tension Values derived in conformance with ACI 318, Appendix D with 0.65 strength reduction factor and 0.75 seismic reduction factor.
5. Values may be used to resist seismic loads.



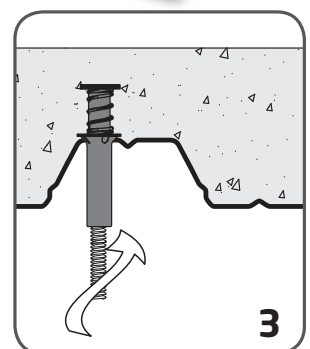
Supports multiple threaded rod sizes.
Easily change rod sizes after install.



1 Drill holes in steel deck using ICCONS Steel Deck Installation Tool (BBCEA-SDDHS1 or BBCEA-SDDSB4).



2 Insert the hanger into the hole and strike the top of the anchor with a mallet, ensuring the plastic wings have been forced through the hole and expand against the bottom side of the deck. This can also be achieved by simply stepping on the anchor.



3 Once the concrete has hardened simply push the desired threaded rod size (8mm, 10mm or 12mm) through the hanger opening and ensure full thread engagement for specified performance.

