

DECKING SOLUTIONS

**ONLY
THROUGH
ICCONS**

MURO



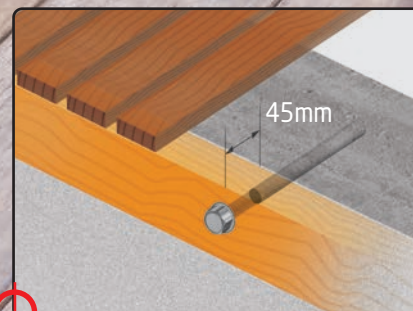
Auto feed collated screw systems



Decking screw solutions



Countersinking bits



Screw coatings & fixing techniques

HIGH STRENGTH TOOL

General purpose strip screw attachment tool



M-TCH7390K Collated Driver Tool



- Quick change double ended drive bits
- Durable housing made from glass filled reinforced nylon
- 30 screws per strip
- No pre-drilling
- No more dropped screws
- No more lost screws
- Lightweight

The M-TCH7390 is a tough and durable collated driver tool attachment that professional contractors prefer. The M-TCH7390 is a general purpose attachment for commercial flooring, fencing and decking fastening solutions and features a rubber nose piece to prevent damage to the work surface. With the flexibility to use with or without the extension handle this attachment is the ideal choice for your collated screw fastening.

SYSTEM FEATURES

- Ergonomic design
- Tight space access
- Long-life nickel plated screw guides
- Kit bag available includes tool, T-handle, pouch & adaptor
- Rubber nose piece prevents work surface damage
- Work standing up when fitted with extension handle
- Adjustable, accurate depth control for countersinking
- Low user vibration with adjustable, comfortable T handle configuration

SYSTEM APPLICATIONS

- Sub floor and commercial flooring
- Decking
- Second storey floor fixing
- Mobile home and caravan construction

M-TCH7390K



Part No.	Description	qty
M-TCH7390K	CH7390 Kit - complete kit includes Ch7390 unit screw pouch, ext handle & carry bag	1
M-CH7390 HANDLE	CH7390 Handle	1
M-DSQR28118	Drive Bit No.2 square for CH7390 - double ended	1
M-DTX258118	Drive Bit Torx 25 for CH7390 / CH7392SF - double ended	1
M-A170-70130	Tool Adapter to suit Makita FS2300	1
M-A170-70060	Tool Adapter to suit Milwaukee 6702-20	1
M-A170-70120	Tool Adapter to suit Hitachi W6VB2 / W8VB3	1
M-A170-70140	Tool Adapter to suit Bosch GSR6-25TE	1
M-ATTDECK	Deck attachment for CH7390 tool - 3- 25mm gap adjustment	1



Strip Chipboard Screws | 8 & 10 Gauge | Zinc Yellow | Category 3



ZINC INTERNAL

IC3 EXTERNAL



IC Find #	Part No.	IC Find #	Part No.	Description	head	drive	mm	qty
M-102	M-CB08038ZY (CSB112YMSU)			8 x 38mm - Strip	CSK	No.2 Sq	18	1000
M-104	M-CB08045ZY (CSB134YMSU)			8 x 45mm - Strip	CSK	No.2 Sq	18	1000
M-106	M-CB08050ZY (CSB200YMSU)	M-116	M-CB08050C3 (CSB200GMSU)	8 x 50mm - Strip	CSK	No.2 Sq	18	1000
M-108	M-CB08065ZY (CSB212YMSU)			8 x 65mm - Strip	CSK	No.2 Sq	18	1000
M-110	M-CB08075ZY (CSB300YMSU)			8 x 75mm - Strip	CSK	No.2 Sq	18	1000
M-112	M-CB10050ZY (CS0200YMSU)			10 x 50mm - Strip	CSK	No.2 Sq	18	1000

Strip Self Drilling Wing Screw | 8 & 10 Gauge | Category 3



IC3 EXTERNAL

CLASS 3



IC Find #	Part No.	Description	head	drive	mm	qty
M-138	M-SDW08042C3 (RSB158G)	8 x 42mm - Strip	CSK	No.2 Sq	1-3mm	1000

Strip Type 17 Deck Screw | 8 Gauge | Shield Guard™ Category 3 | for treated pine



SHIELD GUARD™ EXTERNAL



IC Find #	Part No.	Description	head	drive	mm	qty
M-120	M-DS08050C (ESB200WLP-G)	8 x 50mm - Strip	CSK	No.2 Sq	25	1000
M-122	M-DS08065C (ESB212WLP-GY)	8 x 65mm - Strip	CSK	No.2 Sq	25	1000

Strip Type 17 Compressed Sheet Screw | 8 Gauge | Category 3



IC3 EXTERNAL

CLASS 3



IC Find #	Part No.	Description	head	drive	mm	qty
M-124	M-CSC08045C (ABS8134GMSU)	8 x 45mm - Strip	CSK	No.2 Sq	25	1000

Strip Ejector Decking Screw | 10 Gauge | Category 3 | 305 Stainless Steel



IC3 EXTERNAL

305 SS EXTERNAL



IC Find #	Part No.	IC Find #	Part No.	Description	head	drive	mm	qty
M-126	M-EJ10050C3 (TX0200CLP-EJ)			10 x 50mm - Strip	CSK	Torx (T25)	25	1000
		M-128	M-EJ10050SS (TX0200SLP-EJ)	10 x 50mm - Strip	CSK	Torx (T25)	25	1000
		M-130	M-EJ10065SS (TX0212SLP-EJ)	10 x 65mm - Strip	CSK	Torx (T25)	25	1000

HIGH SPEED PERFORMANCE

M-TCH7392

Fast installation flooring and fencing strip screw tool



M-TCH7392SFK Driver Tool Attachment

A tough, durable collated driver for the professional contractors. The M-TCH7392SFK is a short stroke fast general purpose commercial fencing and flooring system featuring non slip nose piece suitable for high volume production projects

SYSTEM FEATURES

- Long-life nickel plated screw guides
- Housing can be easily rotated for access into tight spaces
- Ergonomic design
- Work standing up when fitted with extension handle
- Non slip nose piece (please note may mark surfaces, please acknowledge this if fastening decking etc)
- Adjustable, accurate depth control for countersinking

SYSTEM APPLICATIONS

- Sub floor and commercial flooring
- Fencing
- Decking
- Truck and trailer construction and repairs
- Mobile home and caravan construction

Quick change double ended drive bits

Durable housing made from glass filled reinforced nylon

30 screws per strip

No pre-drilling

No more dropped screws

No more lost screws

Lightweight

Part No.	Description	qty
M-TCH7392SFK	CH7392SF Kit - complete kit includes CH7392SF unit screw pouch, ext handle & carry bag	1
M-TCH7392SF	CH7392SF - unit only	1
M-DSQR28118	Drive Bit No.2 square for CH7392SF - double ended	1
M-DTX258118	Drive Bit Torx 25 for CH7390 / CH7392SF - double ended	1
M-A170-70130	Tool Adapter to suit Makita FS2300	1
M-A170-70060	Tool Adapter to suit Milwaukee 6702-20	1
M-A170-70120	Tool Adapter to suit Hitachi W6VB2 / W8VB3	1
M-A170-70140	Tool Adapter to suit Bosch GSR6-25TE	1



Strip Chipboard Screws | 8 & 10 Gauge | Zinc Yellow | Category 3



ZINC INTERNAL

IC3 EXTERNAL



IC Find #	Part No.	IC Find #	Part No.	Description	head	drive	mm	qty
M-102	M-CB08038ZY (CS8112YMSU)			8 x 38mm - Strip	CSK	No.2 Sq	18	1000
M-104	M-CB08045ZY (CS8134YMSU)			8 x 45mm - Strip	CSK	No.2 Sq	18	1000
M-106	M-CB08050ZY (CS8200YMSU)	M-116	M-CB08050C3 (CS8200GMSU)	8 x 50mm - Strip	CSK	No.2 Sq	18	1000
M-112	M-CB10050ZY (CS0200YMSU)			10 x 50mm - Strip	CSK	No.2 Sq	18	1000

Strip Self Drilling Wing Screw | 8 & 10 Gauge | Category 3



IC3 EXTERNAL

CLASS 3



IC Find #	Part No.	Description	head	drive	mm	qty
M-136	M-SDW08032C3 (RSB114GMSU)	8 x 32mm - Strip	CSK	No.2 Sq	1-3mm	1000
M-138	M-SDW08042C3 (RSB158GMSU)	8 x 42mm - Strip	CSK	No.2 Sq	1-3mm	1000
M-140	M-SDW10042C3 (RS0158GMSU)	10 x 42mm - Strip	CSK	No.2 Sq	1.2 - 3mm	1000
M-141	M-SDW10050C3 (RS0200GMSU)	10 x 50mm - Strip	CSK	No.2 Sq	1.2 - 3mm	1000

Strip Type 17 Deck Screw | 8 Gauge | Shield Guard™ Category 3 | for treated pine



SHIELD GUARD™ EXTERNAL



IC Find #	Part No.	Description	head	drive	mm	qty
M-120	M-DS08050C (ESB200WLP-G)	8 x 50mm - Strip	CSK	No.2 Sq	25	1000

Strip Type 17 Compressed Sheet Screw | 8 Gauge | Category 3



IC3 EXTERNAL



IC Find #	Part No.	Description	head	drive	mm	qty
M-124	M-CSC08045C (ABS8134GMSU)	8 x 45mm for compressed sheet to timber - Strip	CSK	No.2 Sq	25	1000

Strip Ejector Decking Screw | 10 Gauge | Category 3 | 305 Stainless Steel



IC3 EXTERNAL

305 SS EXTERNAL



IC Find #	Part No.	IC Find #	Part No.	Description	head	drive	mm	qty
M-126	M-EJ10050C3 (TX0200CLP-EJ)			10 x 50mm - Strip	CSK	Torx (T25)	25	1000
		M-128	M-EJ10050SS (TX0200SLP-EJ)	10 x 50mm - Strip	CSK	Torx (T25)	25	1000

HIGH CAPACITY INDUSTRIAL STRENGTH

Professional contractors



M-TFDVL41

M-TFDVL41 | Coil Auto Feed Tool



Part No.	Description	qty
M-TFDVL41	High Capacity Coil Auto Feed Tool with adjustable handle	1
M-DSQR27114	Drive Bit No.2 square for M-TFDVL41 - double ended	1
M-DTX257114	Drive Bit Torx 25 for M-TFDVL41 - double ended	1
MC-ATTDECK	Deck attachment for M-TFDVL41 / M-TFLVL41 coil tool - 3 - 25mm gap adjustment	1

The M-TFDVL41 stands alone with capability to take on any jobs providing versatility that meets all construction fastening requirements. Attach the extension handle and the M-TFLVL41 is an ergonomic worker for stand up operation! The contractors choice!

SYSTEM FEATURES

- Reversible
- No more dropping screws.
- No more losing screws.
- Ergonomic design
- Stand-up operation
- Low user vibration with adjustable, comfortable T handle configuration

SYSTEM APPLICATIONS

- Commercial flooring
- Decking
- Sub Floor
- Dock systems
- Truck construction
- Trailer construction and repairs
- Roofing systems
- Caravan construction
- Mobile homes manufacture



With the extension handle the M-TFDVL41 ergonomic works while standing up!

Durable and rugged design

Drives up to 75mm screws

Adjustable, accurate depth control for countersunk

holds up to 150 screws per coil

Screw gauge range: 8g / 10g





Coil Chipboard Screws | 8 & 10 Gauge | Zinc Yellow | Category 3



ZINC INTERNAL

IC3 EXTERNAL



IC Find #	Part No.	IC Find #	Part No.	Description	head	drive	mm	qty
M-202	MC-CB08038ZY (CS8112Y)			8 x 38mm - Coil	CSK	No.2 Sq	18	2700
M-204	MC-CB08045ZY (CS8134YLP)			8 x 45mm - Coil	CSK	No.2 Sq	18	2700
M-206	MC-CB08050ZY (CS8200YLP)	M-216	MC-CB08050C3 (CS8200GLP)	8 x 50mm - Coil	CSK	No.2 Sq	18	1800
M-212	MC-CB10050ZY (CS0200YLP)			10 x 50mm - Coil	CSK	No.2 Sq	18	1800

Coil Self Drilling Wing Screw | 8 & 10 Gauge | Category 3



IC3 EXTERNAL



IC Find #	Part No.	Description	head	drive	mm	qty
M-238	MC-SDW08042C3 (RS8158G)	8 x 42mm - Coil	CSK	No.2 Sq	1-3mm	2700
M-240	MC-SDW10042C3 (RS0158G)	10 x 42mm - Coil	CSK	No.2 Sq	1-3mm	2700
M-242	MC-SDW10055C3 (RS0214GLP)	10 x 55mm - Coil	CSK	No.2 Sq	1-3mm	1800

Coil Type 17 Deck Screw | 8 Gauge | Shield Guard™ Category 3 | for treated pine



SHIELD GUARD™ EXTERNAL



IC Find #	Part No.	Description	head	drive	mm	qty
M-220	MC-DS08050C (ES8200WLP-G)	8 x 50mm - Coil	CSK	No.2 Sq	25	1800
M-222	MC-DS08065C (ES8212WLP-GY)	8 x 65mm - Coil	CSK	No.2 Sq	25	1800

Coil Type 17 Compressed Sheet Screw | 8 Gauge | Category 3



IC3 EXTERNAL

CLASS 3



IC Find #	Part No.	Description	head	drive	mm	qty
M-224	MC-CSC08045C (ABS8134GMSU)	8 x 45mm - Coil	CSK	No.2 Sq	25	2700

Coil Ejector Decking Screw | 10 Gauge | Category 3 | 305 Stainless Steel



IC3 EXTERNAL

305 SS EXTERNAL



IC Find #	Part No.	IC Find #	Part No.	Description	head	drive	mm	qty
M-226	MC-EJ10050C3 (TX0200CLP-EJ)			10 x 50mm - Coil	CSK	Torx (T25)	25	1800
		M-228	MC-EJ10050SS (TX0200SLP-EJ)	10 x 50mm - Coil	CSK	Torx (T25)	25	1800
		M-230	MC-EJ10065SS (TX0212SLP-EJ)	10 x 65mm - Coil	CSK	Torx (T25)	25	900

INDUSTRIAL CONSTRUCTION STRENGTH

For the professional contractor



M-TFLVL41 Coil Auto Feed Tool

The M-TFLVL41 is a one step process - no pre drilling required. Depending on screw size this easy load tool holds between 100 and 150 screws.

The M-FLVL41 coil feed system has adjustable depth control systematic countersinking - no raised heads. Attach the extension handle and the M-TFLVL41 is an ergonomic worker for stand up operation!

The M-TFLVL41 operates in a large range of applications from truck and trailer bodies, landscaping timber paths to commercial flooring and much more. The M-TFLVL41 provides amazing labour savings on the job!

SYSTEM FEATURES

- Reversible
- No more dropping screws.
- No more losing screws.
- Ergonomic design
- Work standing up when fitted with extension handle
- Low user vibration with adjustable, comfortable T handle configuration

SYSTEM APPLICATIONS

- Timber to Mild Steel
- Timber to Timber
- Timber to Aluminium
- Board walks
- Truck & Trailer Restoration
- Mobile homes and caravan construction

M-TFLVL41



With the extension handle the M-TFLVL41 ergonomic works while standing up!

Durable and rugged design and construction

Drives from 50mm up to 100mm screws

Adjustable, accurate depth control for countersunk

holds up to 150 screws per coil

Screw gauge range: 12g / 14g

No special tool required to change double ended drive bits.



MURO

M-TFLVL41 | Coil Auto Feed Tool



Part No.	Description	qty
M-TFLVL41	Coil Auto Feed Tool with adjustable handle	1
M-DSQR38000	Drive bit No.3 square for FLVL41 - double ended	1
MC-ATTDECK	Deck attachment for FDVL41 / FLVL41 coil tool - 3 - 25mm gap adjustment	1

Coil Self-Drilling Wing | 10 & 14 Gauge | Category 3



IC3 EXTERNAL



SHIELD GUARD™ EXTERNAL



IC Find #	Part No.	IC Find #	Part No.	Description	head	drive	mm	qty
M-278	MC-SDW10030C3 (RSM430GFL)			10 x 30mm - Coil	CSK	No.3 Sq	1.5 - 5	2400
		M-279	MC-SDW14045C3 (RSM645WFL-GY)	14 x 45mm - Coil	CSK	No.3 Sq	4 - 8	1800
		M-280	MC-SDW14055C3 (RSM655WFL-GY)	14 x 55mm - Coil	CSK	No.3 Sq	4 - 8	1200
		M-282	MC-SDW14075C3 (RSM675WFL-GY)	14 x 75mm - Coil	CSK	No.3 Sq	4 - 8	600

Coil Ejector Decking Screw | 14 Gauge



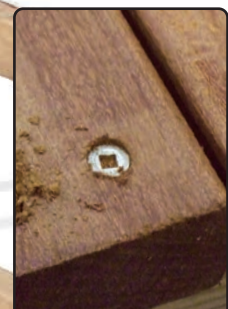
IC3 EXTERNAL



305 SS EXTERNAL



IC Find #	Part No.	IC Find #	Part No.	Description	head	drive	mm	qty
M-274	MC-EJ14075C3 (TS4300CFL-EJ)	M-284	MC-EJ14075SS (TS4300SFL-EJ)	14 x 75mm - Coil	CSK	No.3 Sq	25	660
M-276	MC-EJ14100C3 (TS4400CFL-EJ)	M-286	MC-EJ14100SS (TS4400SFL-EJ)	14 x 100mm - Coil	CSK	No.3 Sq	25	660



7g NEEDLE POINT SCREWS

For villaboard and compressed sheet



M-TCH7241A | Villaboard and Compressed Sheet Tool



Part No.	Description	qty
M-TCH7241A	CH7241A unit only	1
M-DSQR25118	Drive Bit Square for CH7241A - double ended	1
M-A170-70130	Tool Adapter to suit Makita FS2300	1
M-A170-70060	Tool Adapter to suit Milwaukee 6702-20	1
M-A170-70120	Tool Adapter to suit Hitachi W6VB2 / W8VB3	1
M-A170-70140	Tool Adapter to suit Bosch GSR6-25TE	1

Needle Point | 7 Gauge reduced head for fibre cement sheeting



ZINC INTERNAL



IC3 EXTERNAL

■ 7 Gauge needle point - Zinc Yellow

■ 7 Gauge needle point - Category 3



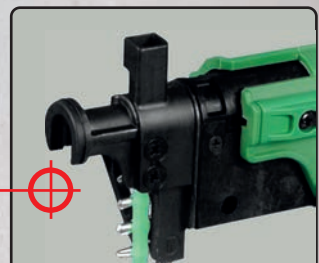
IC Find #	Part No.	IC Find #	Part No.	Description	head	drive	mm	qty
M-132	M-NP07032ZY (YS7114YMS)	M-134	M-NP07032C3 (YS7114GMS)	7 x 32mm	CSK	No.2 Sq	25	1000



Non-marking rubber nose



The Ch7421A is a short stroke tool which is ideal for 7# screws for Villa board to timber and steel applications. With adjustable depth control it is easy to produce consistent countersinking.





TCH7241A |

MURO

30 screws per
easy load
strip, no more
dropping
screws

Adjustable
depth control
for consistent
countersinking

Double ended
bits - easily
changes
without tools

Rubber tipped
nose to
protect the
work surface



**9mm
VILLA**

Positive
depth
adjustment

TYPE 17 DECKING SCREWS



Self Drilling **SPEEDEKZ™** for Timber only

■ 12 Gauge - Coarse Thread 316 (A4) Stainless Steel

- Marine Grade 316 Stainless Steel.
- Aesthetic countersunk self-embedding head.
- No pre-drilling.
- Square Drive for positive non wobble installs.
- No splitting even at end grain.
- Unique "no squeak" ring clamp thread design.
- Suitable hardwood and softwood.



316 SS EXTERNAL		DRIVER BIT INCLUDED					
IC Find #	Part No.	Description	head	mm	Thread/mm	qty	qty
620	SDEK12050SS-250	12 x 50	CSK / No.2 Sqr	25	Full	250	2250
622	SDEK12065SS-500	12 x 65	CSK / No.2 Sqr	25	Full	250	2250

Note: Pre drilling may be required for some hardwood

Self Drilling **SPEEDEKZ™ GP** for Timber

■ 10 Gauge - Coarse Thread 304 (A2) Stainless Steel



304 SS EXTERNAL		DRIVER BIT INCLUDED					
IC Find #	Part No.	Description	head	mm	thread/mm	qty	qty
646	SDEKGP10050SS	10g x 50	T20	25	35	250	1500
648	SDEKGP10065SS	10g x 65	T20	25	35	250	1500

Note: Pre drilling may be required for some hardwood

Knife Thread CSK Decking Screw

■ 10 Gauge - Coarse Thread 304 (A2) Stainless Steel.

Square-knifed threads and one special ring - reduces Drive-in torque by a minimum of 20% compared to standard deck screws, and install time is reduced by Min of 20% compared to Standard deck screws.



304 SS EXTERNAL		DRIVER BIT INCLUDED					
IC Find #	Part No.	Description	head	mm	thread/mm	qty	qty
634	T17DK10050KTSS	10-12 x 50	CSK / No.2 Sqr	25	34	250	1500
636	T17DK10065KTSS	10-12 x 65	CSK / No.2 Sqr	25	44	150	900

Note: Pre drilling may be required for some hardwood

General Purpose CSK Decking Screw

■ 10 Gauge - Coarse Thread 304 (A2) Stainless Steel



304 SS EXTERNAL		THE ORIGINAL ROBERTSON DRIVER BIT INCLUDED					
IC Find #	Part No.	Description	head	mm	thread/mm	qty	qty
642	T17DK10050SS	10-8 x 50	CSK / No.2 Sqr	25	34	250	1500
644	T17DK10065SS	10-8 x 65	CSK / No.2 Sqr	25	44	250	1500

Note: Pre drilling may be required for some hardwood



Trim Head Decking Screw

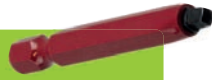


■ 9 Gauge - Coarse Thread 304 (A2) Stainless Steel



304 SS EXTERNAL

THE ORIGINAL ROBERTSON DRIVER BIT INCLUDED



IC Find #	Part No.	Description	head	mm	thread/mm	qty	qty
626	T17TH09053SS	9-9 x 53	CSK / No.2 Sqr	25	38	250	1500



■ 9 Gauge - Coarse Thread - Category 4

NAUTILUS® 4

IC4 EXTERNAL

DRIVER BIT INCLUDED



IC Find #	Part No.	Description	head	mm	Thread/mm	qty	qty
630	T17TH09053TP	9-9 x 53	CSK / No.2 Sqr	25	38	250	1500

THE SMARTER SOLUTION

8-10-12g - all from the 1 Better Bit

THE BETTER BIT

The BETTER-Bit pre-drilling and Countersinking Tool is designed for decking and general woodworking. Features adjustable countersink, Dual function stop collar with engineered "O" ring to protect the work surface, and replaceable long-life drill bits that cut through decking more than twice as fast as standard wood bits.

- > Dual action twin low friction bearings
- > Suitable for impact drivers or drill drivers.
- > Engineered "O" Ring to protect the work surface
- > Adjusting collet for various countersink depths.



The Problem



The Problem Solved



Select Ø
Select CSK
Select drill depth.

8-10-12g
all from one
Better Bit

FOR TIMBER

REPLACEMENT BITS



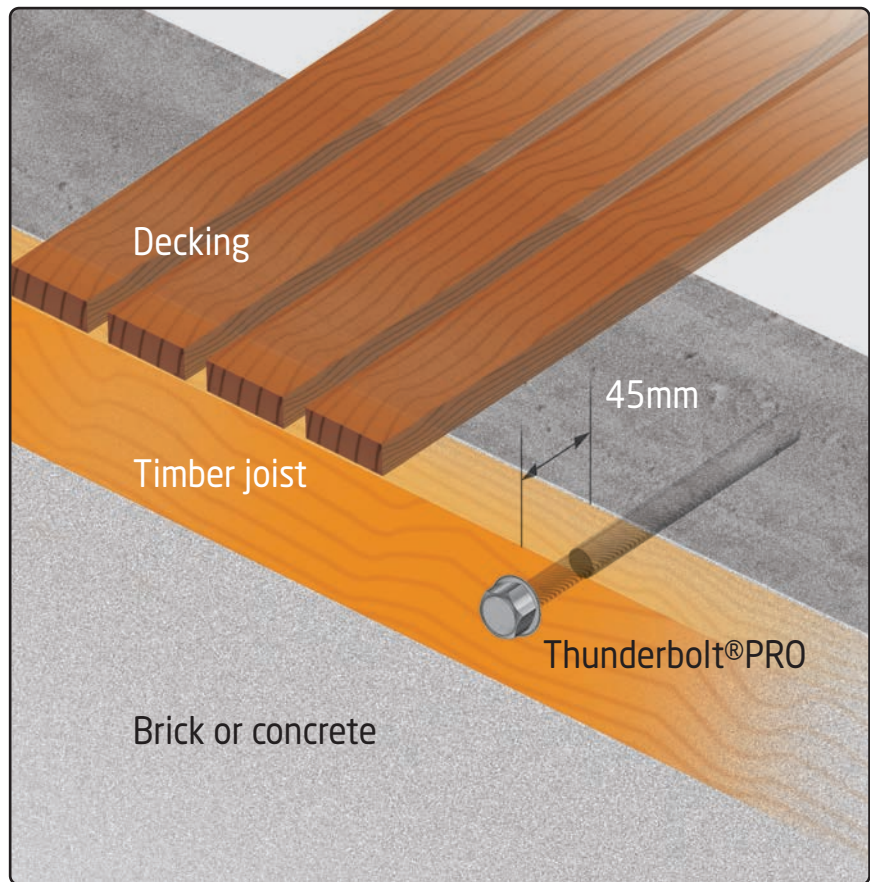
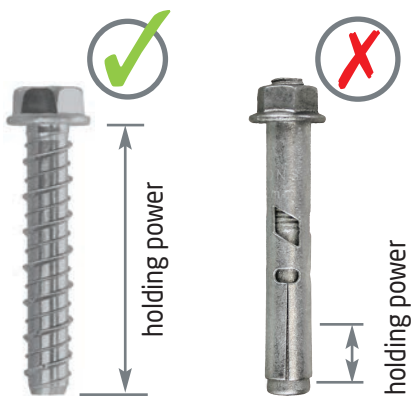
SUITS ICCONS SCREWS

Part No.	Part No.	Description	guage	IC Find #
TBB08G-12G		Countersinking Tool for 8g - 12g screws	8g to 12g	620, 622, 626, 630, 634, 636, 642, 644 & 650
	TBB08G-12G-RB	5 Piece replacement bits		
TBB14G		Countersinking Tool for 14g screws	14G	Bugle Batten screws 572 through to 590
	TBB14G-RB	4 Piece replacement bits		

FASTENING TIMBER TO BRICK, CONCRETE OR STEEL

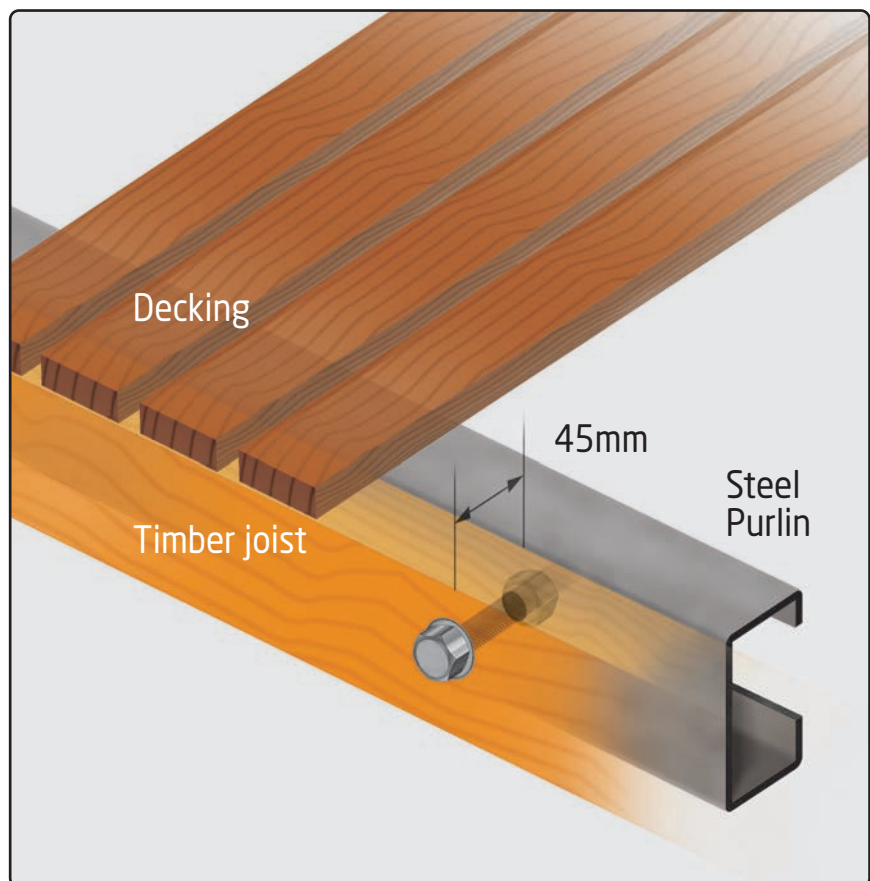
Attaching timber decking to Concrete and Brick

- When fastening timber to brick or concrete it is recommended to use Thunderbolt®PRO not sleeve anchors. (sleeve anchors are an expanding anchor and once tightened could crack the brick).
- Thunderbolt®PRO have a higher shear load and better holding power than a sleeve anchor of the same size.
- Thunderbolt®PRO hold the full length of the anchor. (sleeve anchors only hold on the expanded cone at the very end).



Attaching timber decking to Steel Purlins

- It is not recommended to attach timber decking directly to steel purlins using self-drilling winged screws.
- Movement that occurs between the timber decking and metal supports due to humidity i.e. change in moisture content of decking timber, thermal expansion of materials (day/night temperature changes), movement in building structures, extreme weather changes as well as screws installed under tension all can contribute to SDS winged screws failing in such applications.
- The correct procedure for decking timber onto steel purlin is to bolt the timber to the side or top of the purlin and screw the decking to that as the two timbers will expand at close to the same rate.
- The screw will not be covered by warranty when fitting decking directly to steel purlins.





ICCONS® is proud to offer a range of high quality, corrosion resistant decking screws for the Australian marketplace. ICCONS® provides design life guidance on the structural integrity of its decking screws against the effects of corrosion based on the criteria below.

The Design Life table below is provided as guidance for establishing decking screw design life periods and conditions. Atmospheric conditions, pollution levels, chemicals, humidity and wetness all have a large impact on the expected serviceable life of decking screws.

The table below provides information to assist in determining the severity of the corrosive environment that the ICCONS® Decking Screws will be exposed to. ICCONS® provides design life guidance on the structural integrity of its decking screws for the period indicated in each category. It should be noted that ICCONS suggested design life covers the structural integrity and performance of the screw only and does not include the aesthetic appearance of the coating or the overall integrity of the decking system.

It is very difficult if not impossible, to predict accurately the aggressiveness of a given environment and a certain amount of educated judgement is required to determine the exact corrosion category, an inspection of the local environment, the decking type and the condition of similar structures in the area is usually necessary to make an accurate judgement.

Corrosion Category					
	C2 Low	C3 Medium	C4 High	C5 Very High	CX Extreme
Exposure Type	Temperate Low Pollution Short Term Wet	Temperate Mild Pollution Low Industrial	Temperate Mild Pollution Low Marine Mild Industrial	Subtropical High Pollution Mild Marine Severe Industrial	Tropical Climate Extreme Pollution Severe Marine Extreme Industrial
Location Guidance	20km from Ocean	3km from Ocean	1-3km from Ocean	150m from Ocean	Breaking Surf
Coating/Material	Design Life Period (years)				
316 Stainless Steel	40+	30+	25+	15+	10+
Nautilus® XTEND™ 5 (IC5)	40	30	25	15	On Inspection
302, 304, 305 Stainless Steel	30+	20+	15+	10+	On Inspection
Nautilus® XTEND™ 4 (IC4)	30	20	15	10	NR
Nautilus® 4 (IC4)	30	20	15	10	NR
Nautilus® 3 (IC) Class 3	25	15	7	NR	NR

NR = Not Recommended
Nautilus® XTEND™ 5 - Available on request.

For applications using treated pine decking, ICCONS recommends the use of decking screws with either Shield Guard™, Nautilus® XTEND™ 4 (IC4) or Nautilus® XTEND™ 5 (IC5) coating. Alternatively treated pine decking can be fixed using stainless steel screws.

Decking screws should always be suitable for both the application intended and be fully compatible for use with the other materials in the decking system.

The table below is meant as a guide only to aid in the selection of appropriate screw material / coating for the decking application and conditions of the intended use, if unsure seek independent professional advice.

DECKING SCREW
DESIGN LIFE

